

HI-LIFT BAC-VAC™ Parts Manual

HUSTLER®

.....

Hustler Turf Equipment

.....

P.O. Box 7000

...

Hesston, Kansas

.

67062-2097

Table of Contents

Chapter 1

General Information	1-1
---------------------------	-----

Chapter 2 Contents

Blower Housing Assembly for Quadcyler Decks- 518407.....	2-2
Adapter Kit for 60" Quadcyler Deck- 468819	2-4
72" Adapter Kit - 468686.....	2-6
Blower Assembly for Side Discharge Decks - 544510	2-8
Blower Chute Assembly - 544510.....	2-10
60" Side Discharge Deck Adapter Kit - 325076	2-12
72" Side Discharge Deck Adapter Kit - 325084	2-14
Spindle Housing Assembly - 520627	2-16

Chapter 3 Contents

Hopper Assembly	3-2
Sub-Frame Assembly - 392415	3-4

Chapter 4 Contents

Hydraulic System	4-2
------------------------	-----

Chapter 5 Contents

Decal Group	5-2
-------------------	-----

Index	i-1
-------------	-----

Chapter 1

General Information

This Manual covers Hi-Lift Bac-Vac model **924688** (Quadcycler Decks) & model **925537** (Side Discharge Decks). This manual also covers **468819** (60" Quadcycler Deck Adapter Kit), **468686** (72" Quadcycler Deck Adapter Kit), **325076** (60" SD Deck Adapter Kit), **325084** (72" SD Deck Adapter Kit)

Service Literature

PART NO.	DESCRIPTION
027474	Hi-Lift Back-Vac Owner's Manual
027508	Hi-Lift Bac-Vac Assembly Instructions

Note: When ordering parts, you **must** use the part number as shown for each part, not the index number. Always give the model and serial number to your parts and service representative.

Note: Items sold in bulk such as seals and hoses are sold by the foot.

Using this manual

Illustrations used were current at the time of printing, but subsequent production changes may cause your machine to vary slightly in detail. Excel Industries, Inc. reserves the right to redesign and change the machine as deemed necessary, without notification. If a change has been made to your machine which is not reflected in this parts manual, see your Hustler dealer for current information and parts.

Hardware Description Codes & Abbreviations

The following codes are used throughout this parts manual. Refer to this list when ordering parts.

ABBREVIATION	DESCRIPTION
CB	Carriage Bolt
CE	Clevis Pin
CP	Cotter Pin
CS	Cap Screw
CW	Cup Washer
FW	Flat Washer
HX	Hex Head
LW	Lock Washer
MB	Machine Bushing
MS	Machine Screw
NT	Nut
SC	Self Tapping Cap Screw
SB	Shoulder Bolt
SS	Set Screw

Standard Torques

The following chart lists the standard torque values for the threaded fasteners found in this manual. Torque all cap screws, nuts and set screws to these values unless a different torque is shown in the Notes section next to the fastener

SIZE	FT-LBS	NM	SIZE	FT-LBS	NM
.250	8.2	11.1	M3	1	1.3
.312	17	23	M4	2.2	3
.375	30	40	M5	4.5	6.1
.438	48	65	M6	7.7	10.4
.500	73	99	M8	18.5	25
.562	105	143	M10	37	50
.625	145	200	M12	64	87
.750	260	350	M16	160	215
.875	420	565	M20	320	435
1.00	625	850	M24	555	750

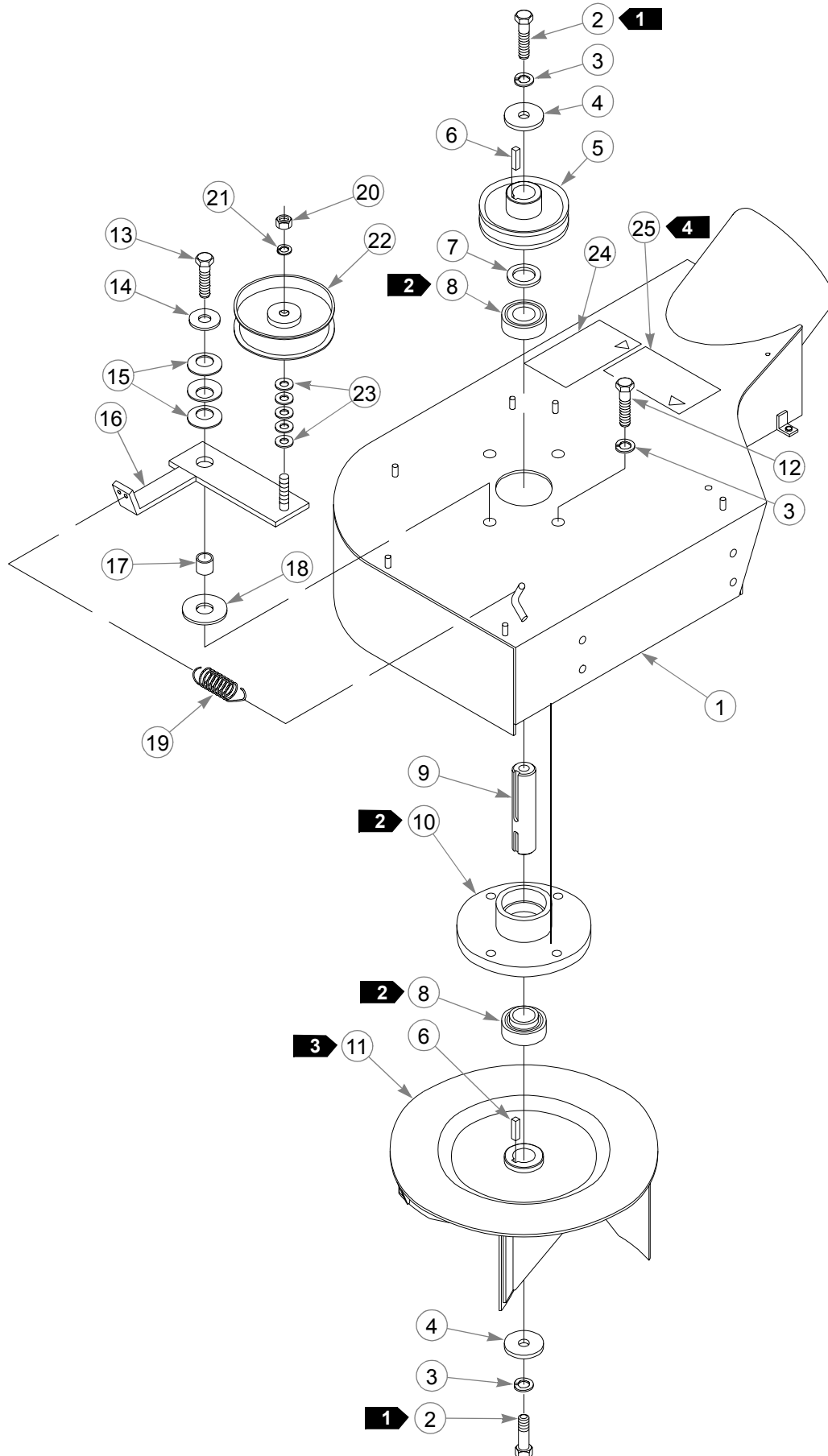
NOTE:

**Loctite 592 to be used on all pipe threads.
Lubricate all grease zerks.**

Chapter 2 Contents

Blower Housing Assembly for Quadcyler Decks- 518407	2-2
Adapter Kit for 60" Quadcyler Deck- 468819.	2-4
Adapter Kit for 72" Quadcyler Deck- 468686.	2-6
Blower Assembly for Side Discharge Decks - 544510	2-8
Blower Chute Assembly - 544510	2-10
60" Side Discharge Deck Adapter Kit - 325076.	2-12
72" Side Discharge Deck Adapter Kit - 325084.	2-14
Spindle Housing Assembly . 520627.	2-16

Blower Housing Assembly for Quadcycler Decks- 518407



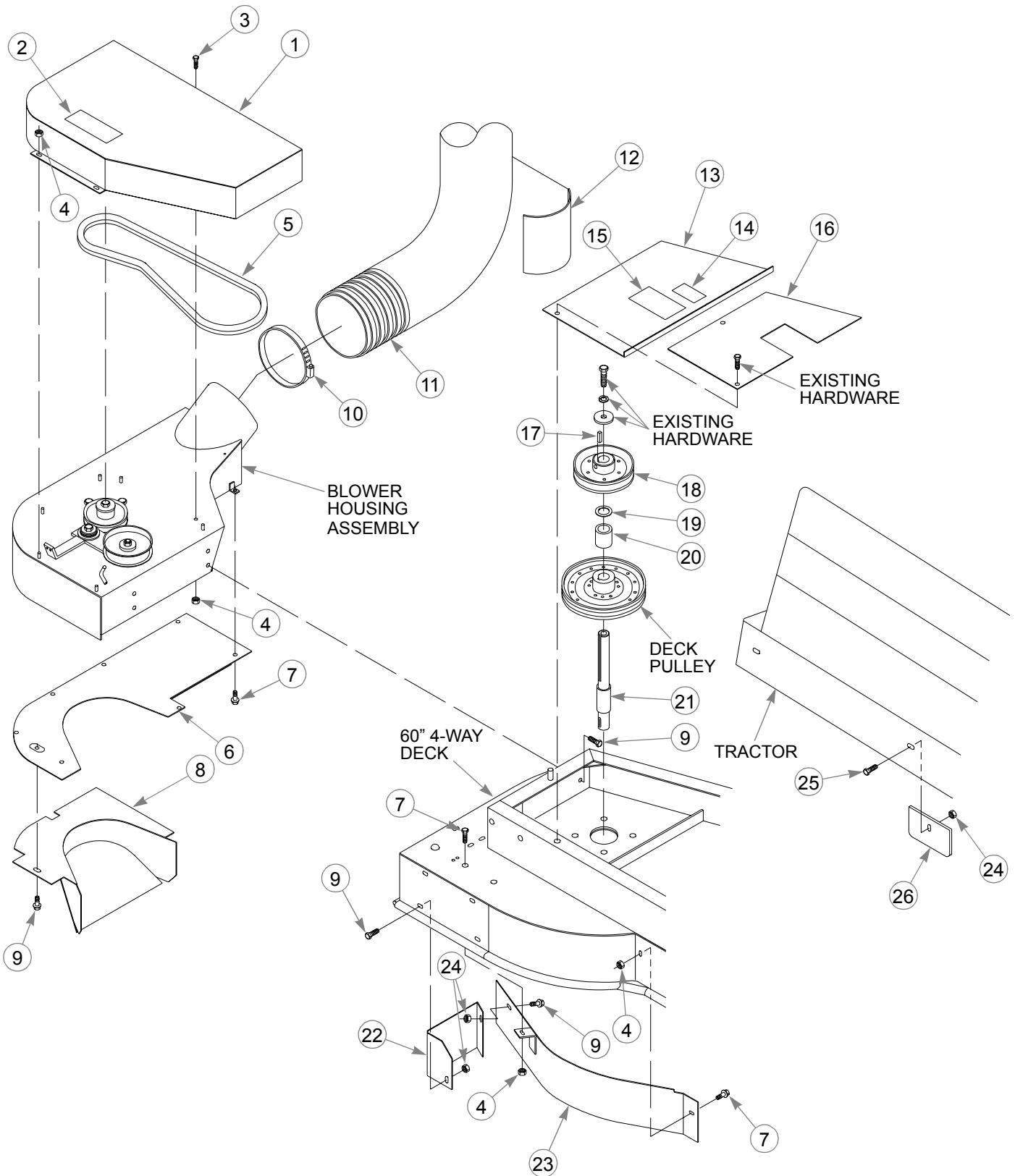
Blower Housing Assembly for Quadcyler Decks- 518407

INDEX NO.	SERVICE PART NO.	QTY.	DESCRIPTION
1	468660	1	HOUSING
2	078378	2	CS .50-20 X 1.50 HX G5 ZN
3	017046	5	LW .50 MEDIUM SPRING ZN
4	078386	2	FW .510 X 1.750 X .180 ZN
5	504753	1	PULLEY 3.95"
6	212472	2	KEY .250 X .250 X 1.00
7	045765	1	FW 1.030 X 1.50 X .134 ZN
8	077123	2	BEARING
9	027375	1	FAN SHAFT
10	022582	1	SPINDLE HOUSING
11	513374	1	FAN
12	705194	3	CS .50-13 X .750 HX G5 ZN
13	705954	1	CS .50-13 X 1.250 HX G5 ZN
14	017137	1	FW .560 X 1.370 X .109 SAE ZN
15	023135	3	CW .781 X 1.343 X .062 PN
16	375881	1	IDLER ARM
17	364836	1	IDLER SPACER
18	364653	1	BEARING DISC
19	036384	1	SPRING
20	016881	1	NT .375-16 HX ZN
21	017012	1	LW .375 MEDIUM SPRING ZN
22	022772	1	IDLER PULLEY
23	049346	5	FW .375 X .870 X .078 ZN
24	727438	1	BLADE CAUTION DECAL
25	767012	1	BLOWER DANGER DECAL

NOTES:

1. Torque bottom bolt 50-55 ft. lbs. first then torque top bolt 50-55 ft. lbs.
2. Items 8 & 10 are part of 365288, spindle housing assembly.
3. After assembling, make sure item 11, fan, does not rub against item 1, housing.
4. Decal to be readable from blower outlet (hose) side.

Adapter Kit for 60" Quadcycler Deck- 468819



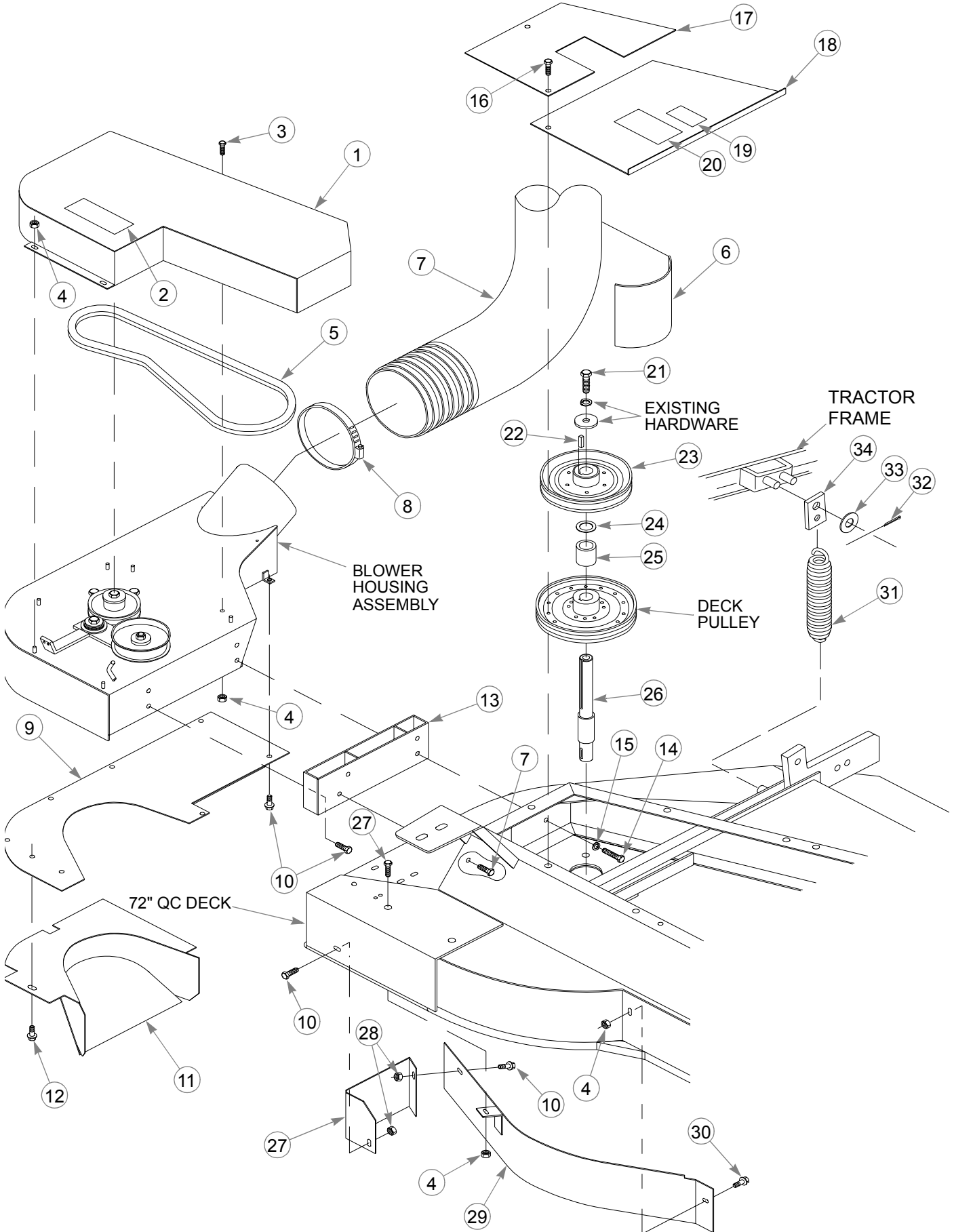
Adapter Kit for 60" Quadcyler Deck- 468819

INDEX NO.	SERVICE PART NO.	QTY.	DESCRIPTION
* 1	468868	1	BLOWER COVER
* 2	727693	1	HI-LIFT BAC-VAC DECAL
** 3	023143	1	CS .25-20 X .500 HXFLK ZN
** 4	016816	7	NT .25-20 HXFLK ZN
* 5	022780	1	V-BELT
* 6	468769	1	HOUSING BOTTOM
** 7	029611	9	CS .25-20 X .625 HXFLK ZN
** 8	468637	1	REMOVABLE BAFFLE
** 9	029710	7	CS .312-18 X .750 HXFLK ZN
**10	022608	4	HOSE CLAMP
**11	022640	1	FLEXIBLE TRANSFER TUBE
**12	404632	1	HOSE SUPPORT
*13	468843	1	RIGHT CENTER DECK COVER
*14	727453	1	BELT & PULLEY DECAL
*15	727842	1	DRIVESHAFT DECAL
*16	468827	1	RIGHT END DECK COVER
**17	212472	1	KEY .250 X .250 X 1.00
*18	301317	1	PULLEY 5.50"
**19	082180	A/R	MB 1.00 X 1.50 X .049 PN
**20	364661	1	PULLEY SPACER
**21	712422	1	SPINDLE SHAFT
*22	468801	1	FILL PANEL
*23	468876	1	BAFFLE
**24	016832	3	NT .312-18 HXFLK ZN
*25	016287	1	CS .312-18 X 1.00 HXFLK ZN
*26	377069	1	DECK STOP

NOTES:

- * Included in 468819, Adapter Kit for 60" Quadcyler Decks.
- ** Included with 924688, Hi-Lift Bac-Vac for Quadcyler Decks.

72" Adapter Kit - 468686



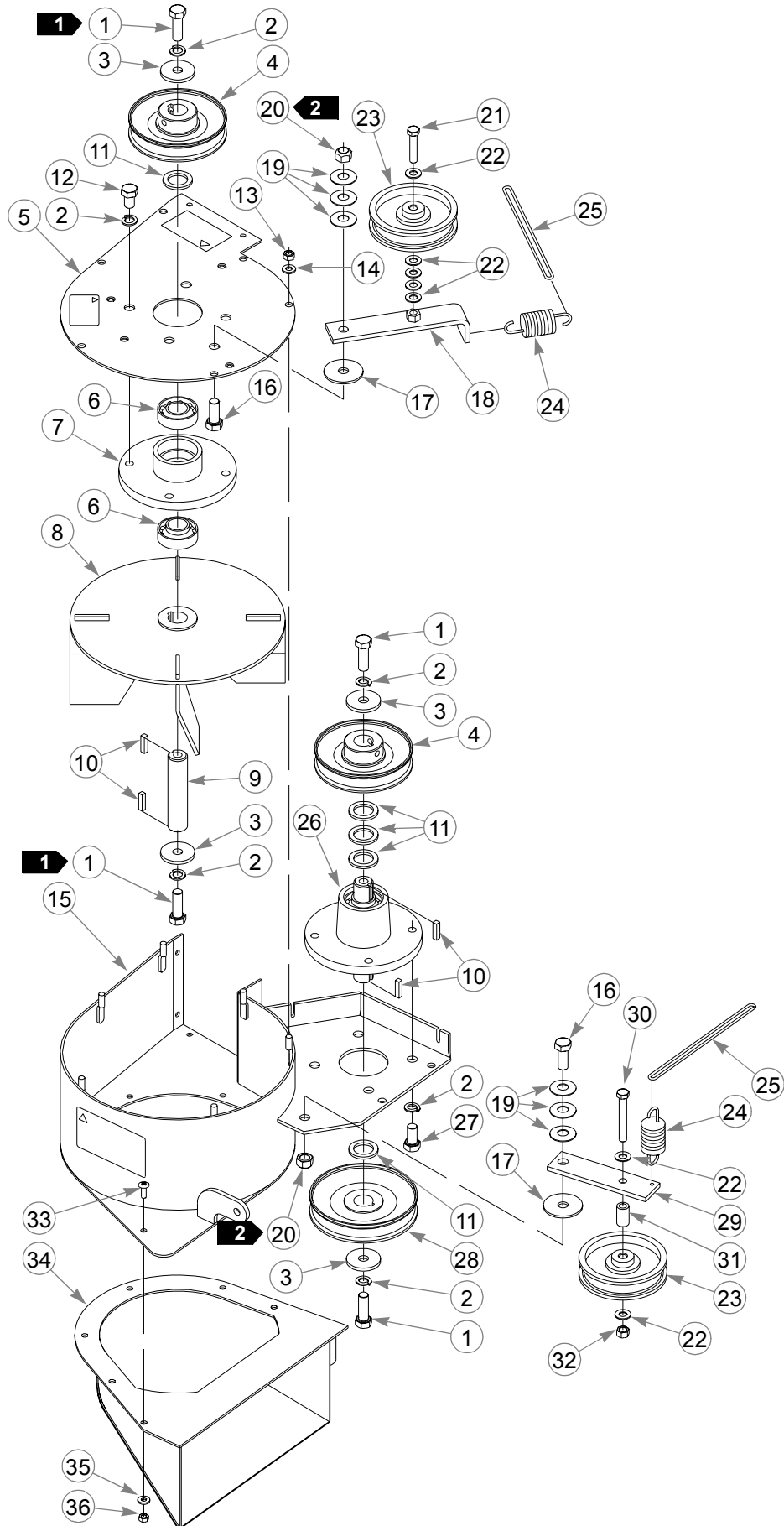
72" Adapter Kit - 468686

INDEX NO.	SERVICE PART NO.	QTY.	DESCRIPTION
* 1	468744	1	COVER
* 2	727693	1	HI-LIFT BAC-VAC DECAL
** 3	023143	1	CS .25-20 X .50 HXFLK ZN
** 4	016816	7	NT .25-20 HXFLK ZN
* 5	030130	1	V-BELT
** 6	404632	1	HOSE SUPPORT
** 7	022640	1	FLEXIBLE TRANSFER TUBE
** 8	022608	4	HOSE CLAMP
* 9	468769	1	HOUSING BOTTOM
**10	029710	6	CS .312-18 X .750 HXFLK ZN
**11	468637	1	REMOVABLE BAFFLE
**12	029710	6	CS .312-18 X .750 HXFLK ZN
* 13	468694	1	SPACER
* 14	038828	2	CS .312-18 X 2.250 HX G5 ZN
* 15	017004	2	LW .312 MEDIUM SPRING ZN
* 16	016162	1	CS .25-20 X 1.250 HXFLK ZN
* 17	468702	1	RIGHT END DECK COVER
* 18	468710	1	RIGHT CENTER DECK COVER
* 19	727453	1	BELT & PULLEY DECAL
* 20	727842	1	DRIVESHAFT DECAL
* 21	078360	1	CS .50-20 X 2.50 HX G5 ZN
* 22	250621	1	KEY .25 X .25 X 1.80
* 23	518316	1	PULLEY 7.0"
**24	082180	A/R	MB 1.00 X 1.50 X .049 PN
**25	364661	1	PULLEY SPACER
**26	712422	1	SPINDLE SHAFT
* 27	468736	1	FILL PANEL
**28	016832	2	NT .312-18 HXFLK ZN
* 29	468777	1	BAFFLE
**30	029611	2	CS .25-20 X .625 HXFLK ZN
* 31	011379	1	FLOTATION SPRING
* 32	017277	1	CP .187DX1.000 LG HML ZN
* 33	004168	1	FW .50 X 1.06X.090 SAE ZN
* 34	203455	1	SPRING CLIP

NOTES:

- * Included in 468686, Adapter Kit for 72" Quadcyler Decks.
- ** Included with 924688, Hi-Lift Bac-Vac for Quadcyler Decks.

Blower Assembly for Side Discharge Decks - 544510



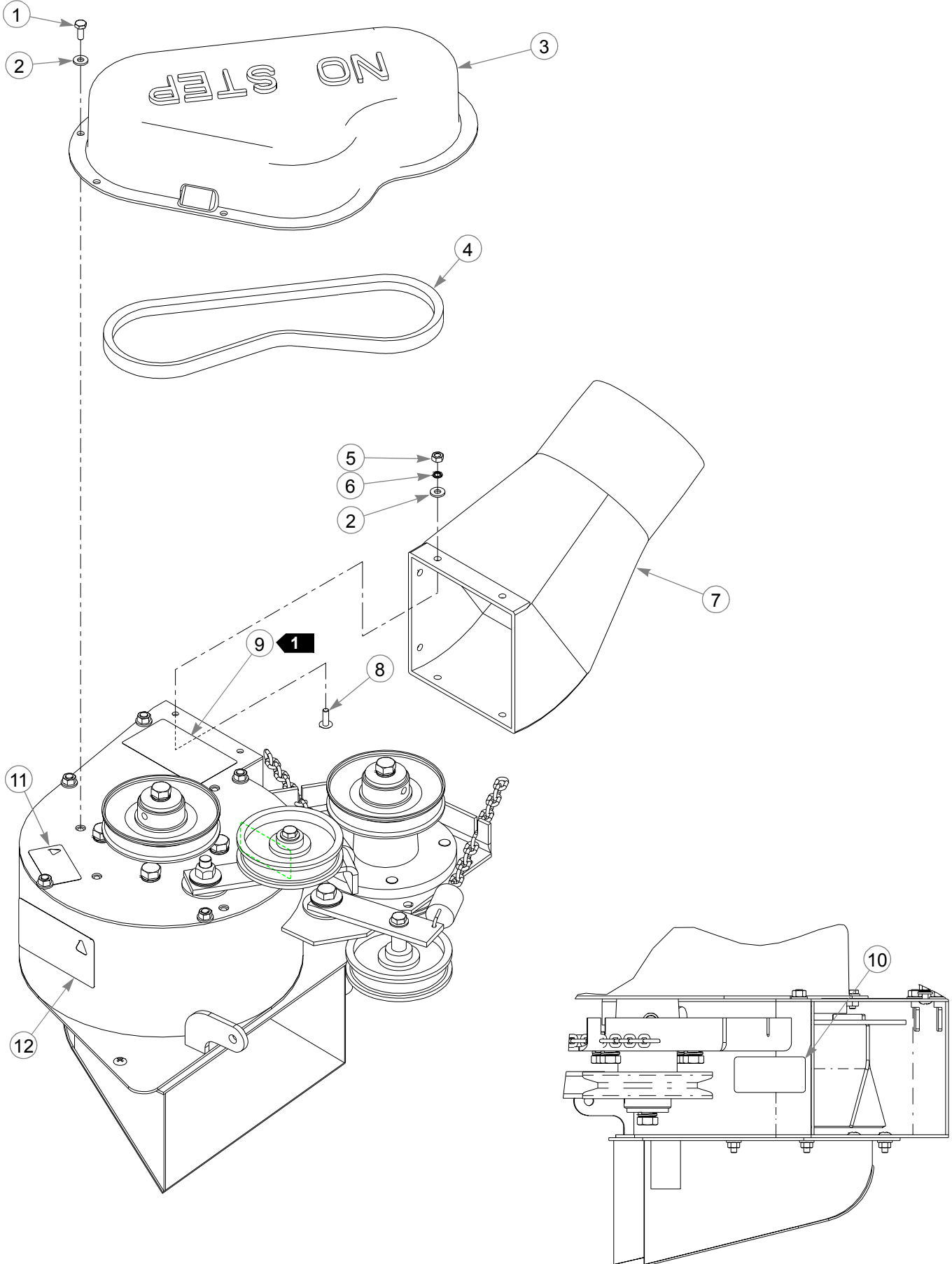
Blower Assembly for Side Discharge Decks - 544510

INDEX NO.	SERVICE PART NO.	QTY.	DESCRIPTION
1	078378	4	CS .50-20 X 1.50 HX G5 ZN
2	017046	12	LW .50 MEDIUM SPRING ZN
3	078386	4	FW .510 X 1.750 X .180 ZN
4	301267	2	DRIVE PULLEY
5	324327	1	BLOWER TOP
6	077123	2	BEARING W/O COLLAR
7	022582	1	CAST SPINDLE HOUSING
8	758565	1	IMPELLER 11"
9	758730	1	JACK SHAFT
10	212472	4	KEY
11	045765	5	FW 1.030 X 1.50 X .134 ZN
12	705194	4	CS .50-13 X .750 HX G5 ZN
13	034272	6	NT .312-18 HX G5 ZN
14	768523	6	FW .343 X .687 X .051/.080 HD ZN
15	324319	1	BLOWER HOUSING
16	705954	2	CS .50-13 X 1.250 HX G5 ZN
17	263517	2	BEARING DISK
18	324343	1	UPPER IDLER ARM
19	068759	6	CW .560 X 1.340 X .050 PN
20	023317	2	NT .50-13 UNT LK G5 ZN
21	705178	1	CS .375-16 X 1.750 HX G5 ZN
22	767954	7	FW .406 X .812 X .060 SAE HRD ZN
23	022772	2	FLAT IDLER PULLEY
24	036384	2	SPRING 1/4 COIL PL 1.23
25	259812	2	DECK LIFT SPRING CHAIN
26	520627	1	SPINDLE HOUSING ASSEMBLY
27	016527	4	CS .50-13 X 1.00 HX G5 ZN
28	301317	1	PULLEY
29	324293	1	LOWER IDLER ARM
30	705731	1	CS .375-16 X 2.750 G5 ZN
31	324350	1	IDLER SPACER
32	054502	1	NT .375-16 HX G5 ZN
33	079194	6	MS .25-20 X .750 TH CR ZN
34	324335	1	BLOWER INLET
35	768515	6	FW .281 X .625 X .051/.080 HD ZN
36	024927	6	NT .25-20 HX G5 ZN

NOTES:

1. Torque bottom bolt to 65 ft. lbs. first, then torque top bolt to 65 ft. lbs.
2. Tighten to snug up assembly and still allow idler to rotate. Apply Loctite® 242.

Blower Chute Assembly - 544510



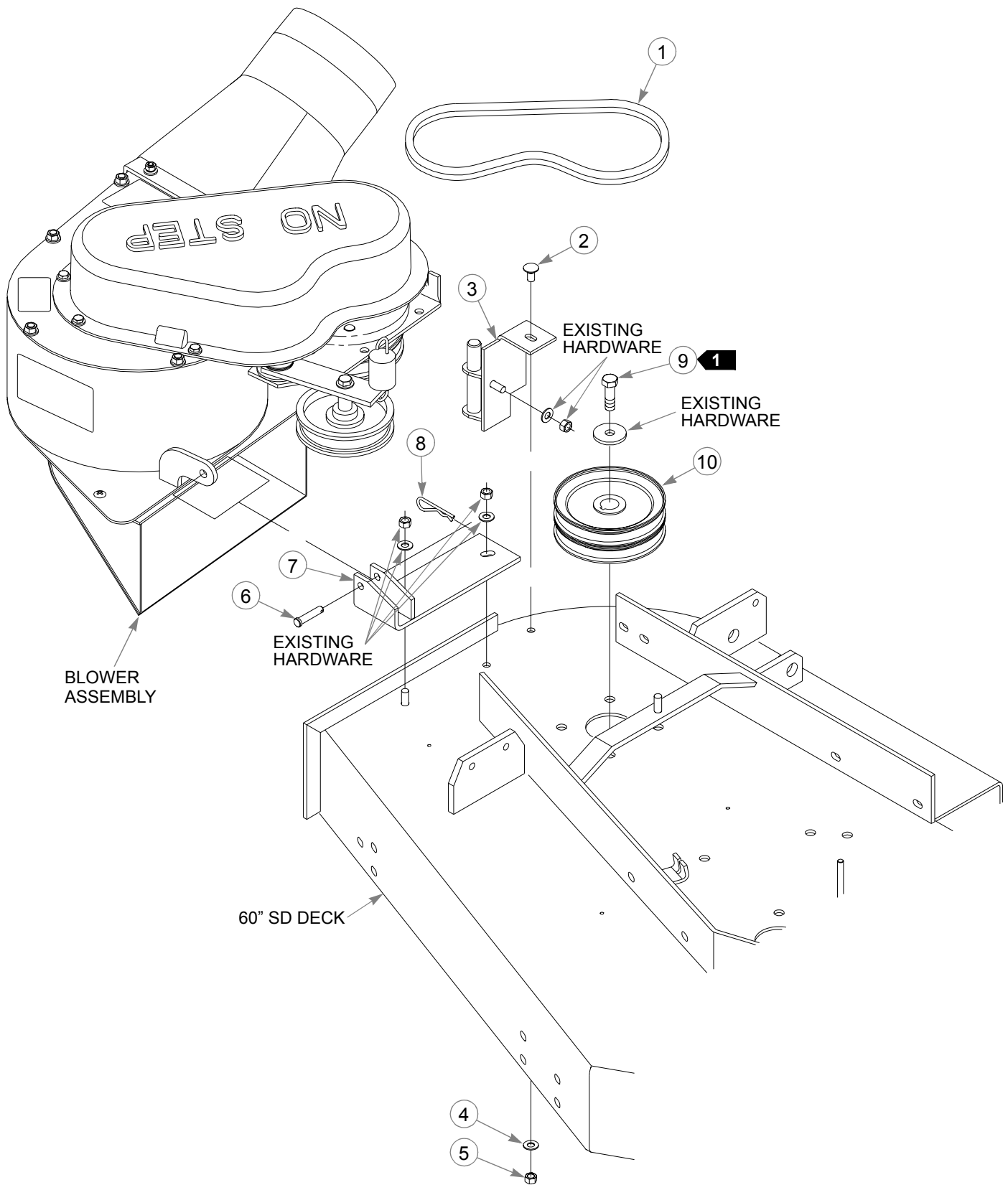
Blower Chute Assembly - 544510

INDEX NO.	SERVICE PART NO.	QTY.	DESCRIPTION
1	064329	4	CS .25-20 X .625 HX G5 ZN
2	768515	10	FW .281 X .627 X .051/.080 HD ZN
3	770180	1	PULLEY COVER
4	770404	1	UPPER BLOWER BELT
5	024927	6	NT .25-20 HX G5 ZN
6	017038	6	LW .25 MEDIUM SPRING ZN
7	757245	1	TRANSITION CHUTE
8	079194	6	MS .25-20 X .750 TH CR ZN
9	767012	1	DANGER BLOWER DECAL
10	741264	1	MADE IN USA COMBO DECAL
11	727453	1	BELT & PULLEY DECAL
12	727438	1	WHIRLING BLADES DECAL

NOTES:

1. Decal to be readable from blower outlet (hose) side.
2. Blower Assembly {544510(324277)} is included in 925537 (Hi-Lift Bac-Vac for Side Discharge Deck)

60" Side Discharge Deck Adapter Kit - 325076



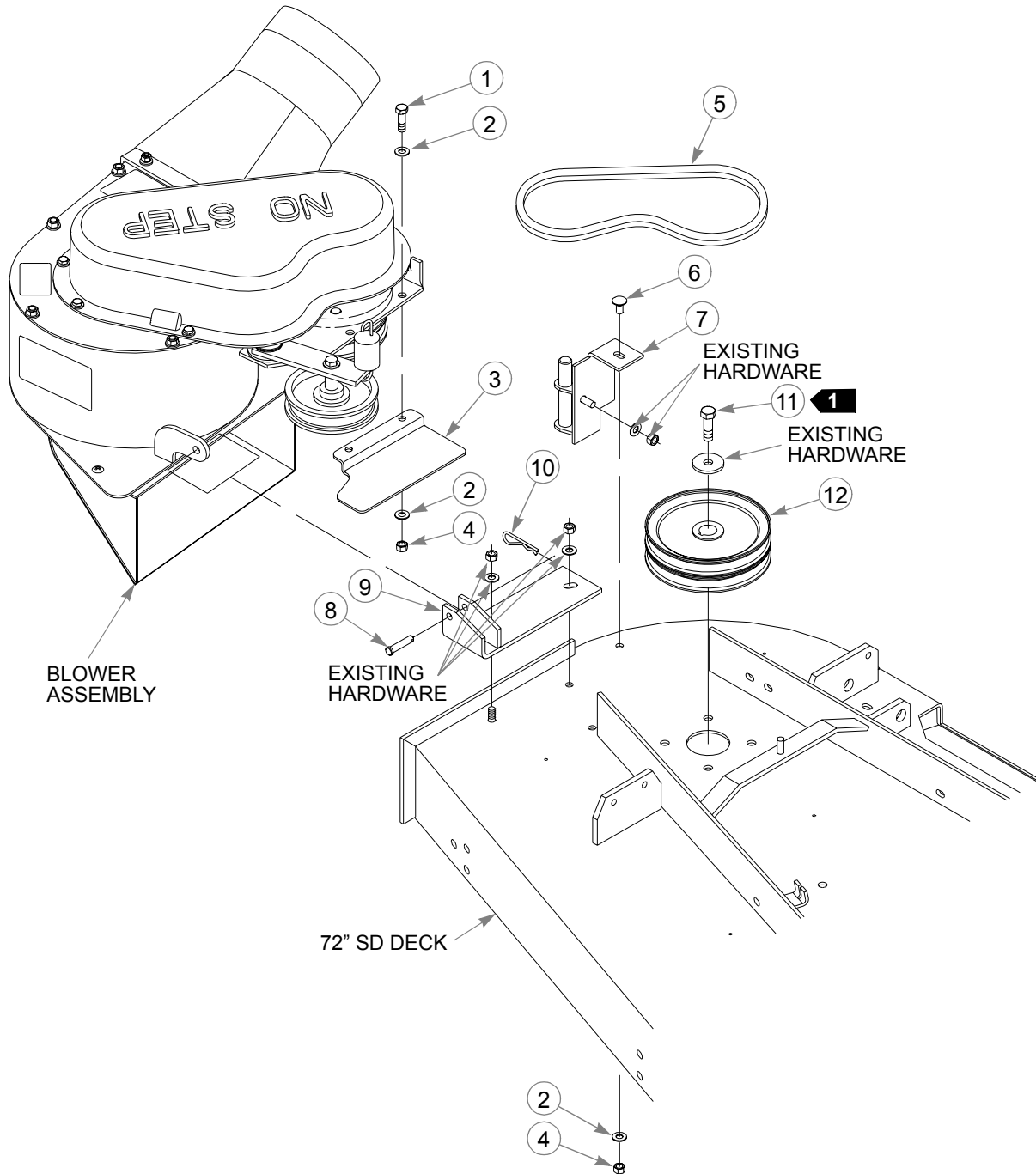
60" Side Discharge Deck Adapter Kit - 325076

INDEX NO.	SERVICE PART NO.	QTY.	DESCRIPTION
1	770396	1	LOWER BLOWER BELT
2	011320	1	CB .375-16 X .750 STD ZN
3	324301	1	BLOWER PIVOT MOUNT
4	767954	1	FW .406 X .812 X .060 SAE HRD ZN
5	054502	1	NT .375-16 HX G5 ZN
6	019471	1	CE .380 X 1.750 X 1.50 X 1.60 ZN
7	324285	1	BLOWER MOUNT
8	023036	1	HP .148 X 2.690 ZN
9	078378	1	CS .50-20 X 1.50 HX G5 ZN
10	524785	1	PULLEY

NOTES:

1. Torque to 65-75 ft. lbs.

72" Side Discharge Deck Adapter Kit - 325084



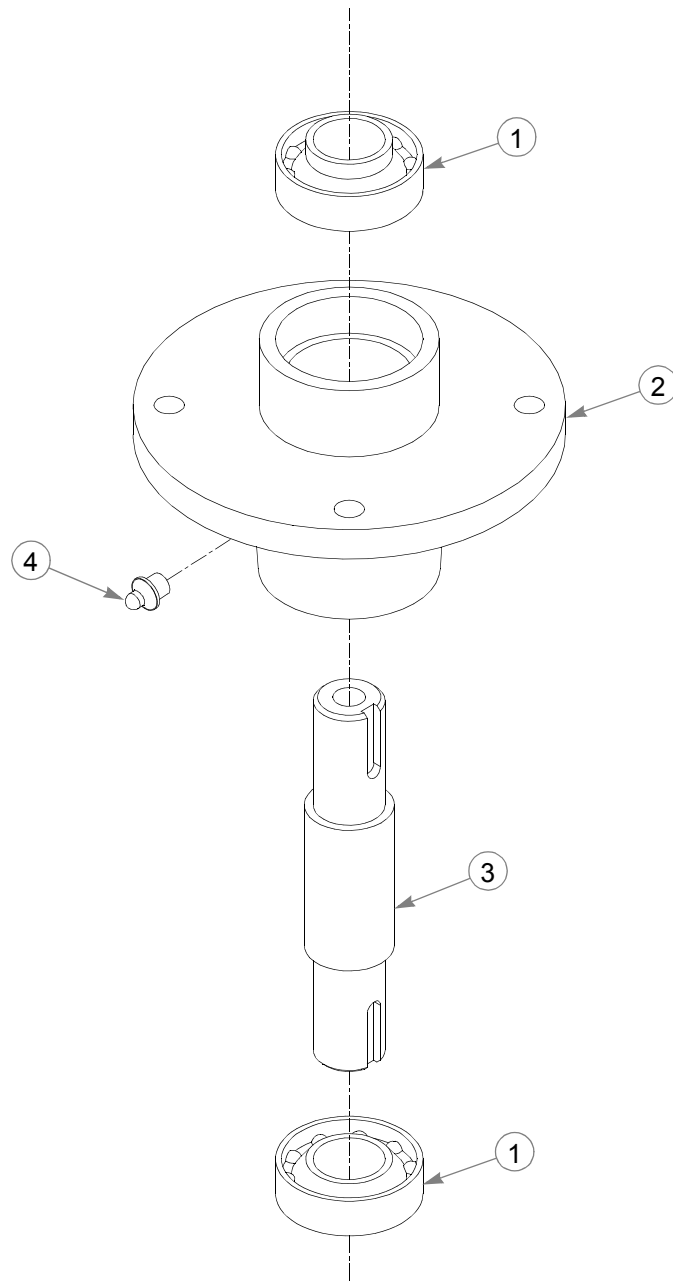
72" Side Discharge Deck Adapter Kit - 325084

INDEX NO.	SERVICE PART NO.	QTY.	DESCRIPTION
1	036244	2	CS .375-16 X 1.00 HX G5 ZN
2	767954	5	FW .406 X .812 X .060 SAE HRD ZN
3	325100	1	LOWER BLOWER IDLER COVER
4	054502	3	NT .375-16 HX G5 ZN
5	770412	1	LOWER BLOWER BELT
6	011320	1	CB .375-16 X .750 STD ZN
7	324301	1	BLOWER PIVOT MOUNT
8	019471	1	CE .380 X 1.750 X 1.50 X 1.60 ZN
9	324285	1	BLOWER MOUNT
10	023036	1	HP .148 X 2.690 ZN
11	078378	1	CS .50-20 X 1.50 HX G5 ZN
12	770388	1	DOUBLE DRIVE PULLEY

NOTES:

1. Torque to 65-75 ft. lbs.

Spindle Housing Assembly - 520627



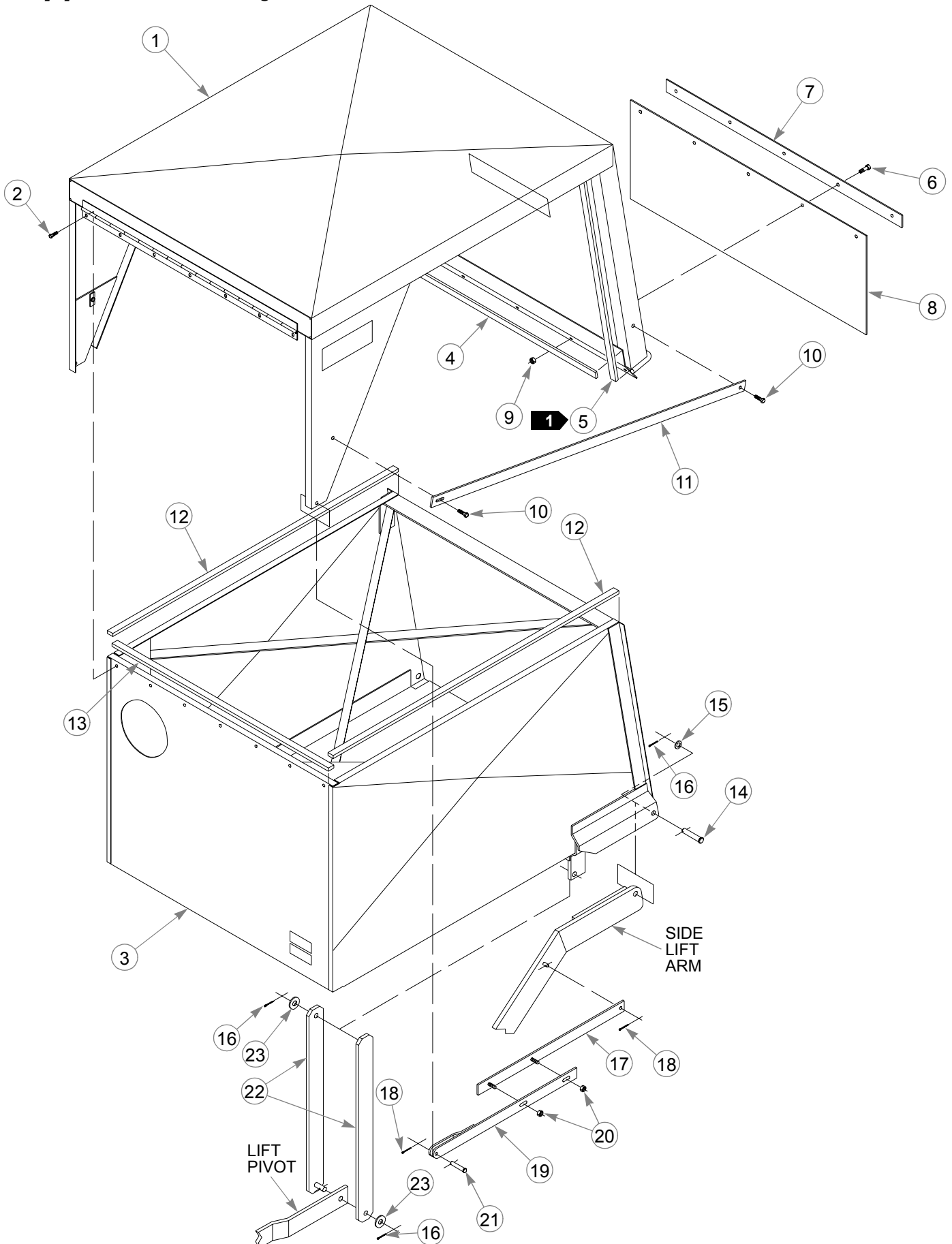
INDEX NO.	SERVICE PART NO.	QTY.	DESCRIPTION
1	077123	2	BEARING
2	034843	1	SPINDLE HOUSING
3	008805	1	SPINDLE SHAFT
4	012005	1	GREASE ZERK

NOTES:

Chapter 3 Contents

Hopper Assembly	3-2
Sub-Frame Assembly - 392415.....	3-4

Hopper Assembly



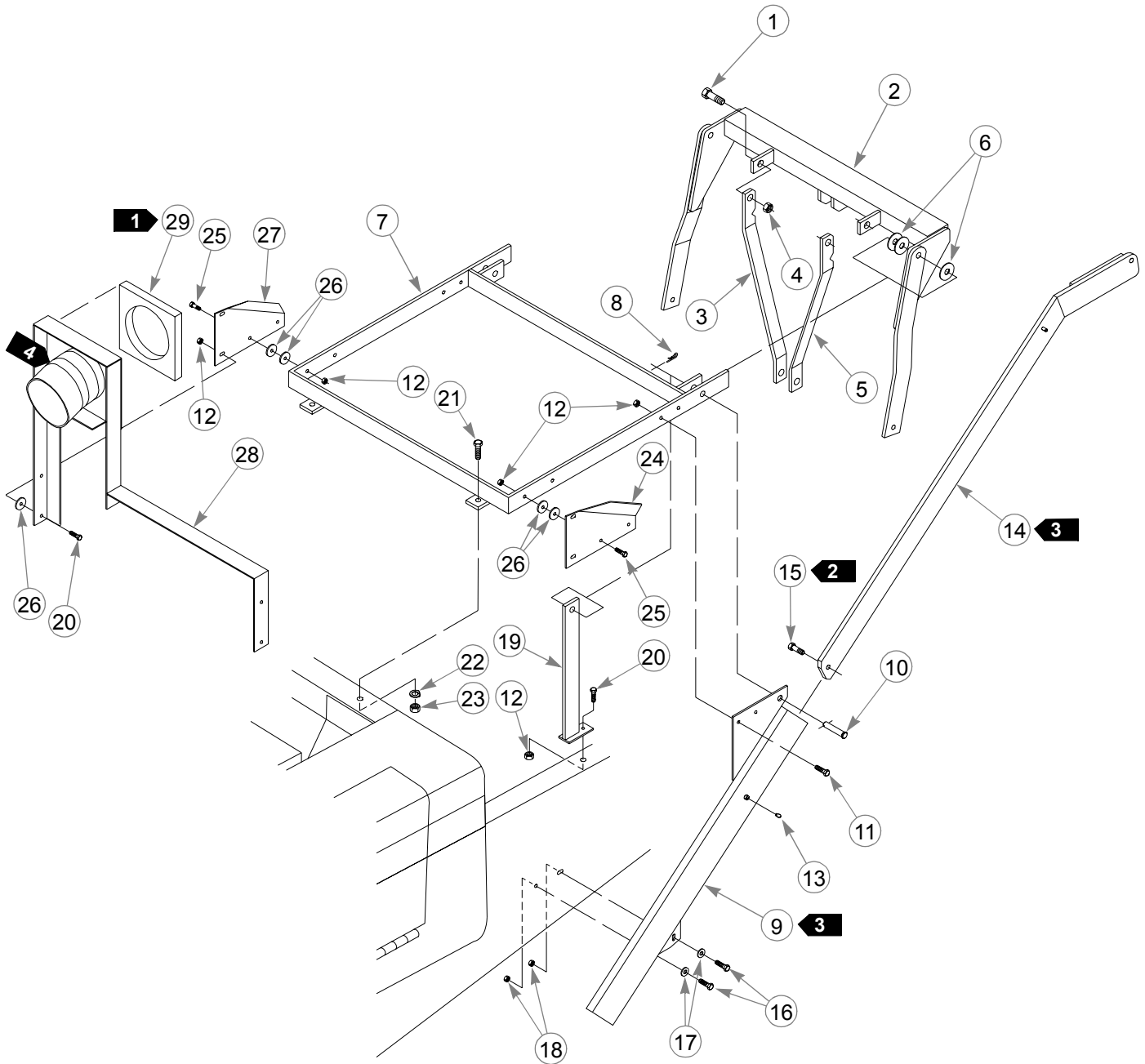
Hopper Assembly

INDEX NO.	SERVICE PART NO.	QTY.	DESCRIPTION
1	513671	1	HOPPER DOOR
2	029611	7	CS .25-20 X .625 HXFLK ZN
3	513705	1	HOPPER
4	713206	1	BOTTOM DOOR SEAL .25 X .75 X 32.05
5	713198	2	REAR HOPPER SEAL .375 X .75 X 25.65
6	055939	5	CS .25-20 X .750 HX G5 ZN
7	432872	1	STRAP
8	432864	1	DEFLECTOR
9	016816	5	NT .25-20 HXFLK ZN
10	073452	4	CS .312-18 X .625 HXFLK ZN
11	376012	2	UPPER STABILIZER ARM
12	018713	2	SIDE HOPPER SEAL .375 X .75 X 40.0
13	018713	1	FRONT HOPPER SEAL .375 X .75 X 30.3
14	020016	2	CE .50 X 2.00 X .156 X 1.820 ZN
15	058875	2	MB .510 X .870 X .05 ZN
16	017269	6	CP .156D X 1.50 LG ZN
17	376111	2	LOWER DOOR ARM
18	760199	4	CP .125D X .750 LG ZN
19	376103	2	UPPER DOOR ARM
20	016832	4	NT .312-18 HXFLK ZN
21	058735	2	CE .310 X .968 X .150 X .825 ZN
22	398529	4	LIFT LINKAGE
23	017137	A/R	FW .560 X 1.370 X .109 SAE ZN

NOTES:

1. Install seal approximately .12" from outside edge of door.

Sub-Frame Assembly - 392415



Sub-Frame Assembly - 392415

INDEX NO.	SERVICE PART NO.	QTY.	DESCRIPTION
1	047720	2	CS .75-10 X 2.00 HX G5 ZN
2	392126	1	LIFT PIVOT
3	392316	1	R/H LOWER STABILIZER ARM
4	061101	2	NT .75-10 HX NL ZN
5	392332	1	L/H LOWER STABILIZER ARM
6	046821	6	FW .656 X 2.00 X .078 ZN
7	392225	1	SUB-FRAME
8	017301	2	HP .125 X 2.375 ZN
9	376194	1	L/H SIDE LIFT CHANNEL
	376186	1	R/H SIDE LIFT CHANNEL
10	053702	2	CE .620 X 3.00 X .150 X 2.840
11	016287	4	CS .312-18 X 1.00 HXFLK ZN
12	016832	12	NT .312-18 HXFLK ZN
13	015495	2	GREASE FITTING
14	377200	1	L/H SIDE LIFT ARM
	376335	1	R/H SIDE LIFT ARM
15	027557	2	CS .50-13 X .50 HX SH BO
16	080655	4	CS .375-16 X 1.50 HX G5 ZN
17	017129	4	FW .440 X 1.00 X .083 ZN
18	016899	4	NT .375-16 HXFLK ZN
19	399857	2	SUB-FRAME SUPPORT
20	029710	4	CS .312-18 X .750 HXFLK ZN
21	061812	2	CS .50-13 X 3.50 HX G5 ZN
22	017046	2	LW .50 MEDIUM SPRING ZN
23	016956	2	NT .50-13 HX ZN
24	375980	1	L/H FRONT GUIDE
25	029736	4	CS .312-18 X 1.250 HXFLK ZN
26	079202	10	FW .344 X 1.380 X .120 ZN
27	375972	1	R/H FRONT GUIDE
28	376038	1	TUBE MOUNT PLATE
29	364265	1	TUBE SUPPORT SEAL

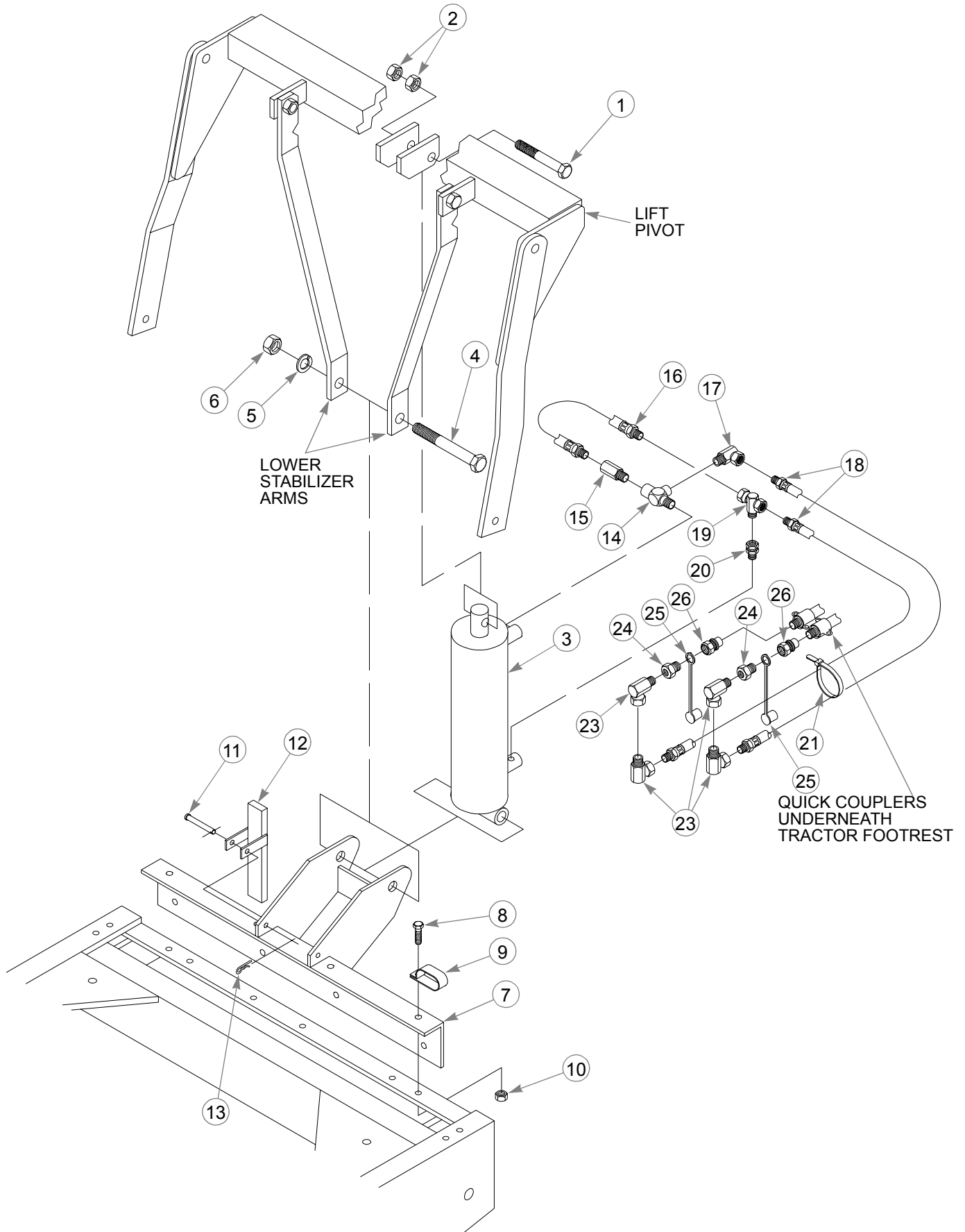
NOTES:

1. Center item 29, tube support seal, over opening in item 28, tube mount plate, within .12. Use 3M®-4799 adhesive to attach tube support seal to tube mount plate.
2. Apply Loctite® 242 around end of cap screw before installing.
3. Grease inside of channel & sides of lift arm with Lubriplate® 630-2 (053397) so parts will slide together freely.

Chapter 4 Contents

Hydraulic System..... 4-2

Hydraulic System



Hydraulic System

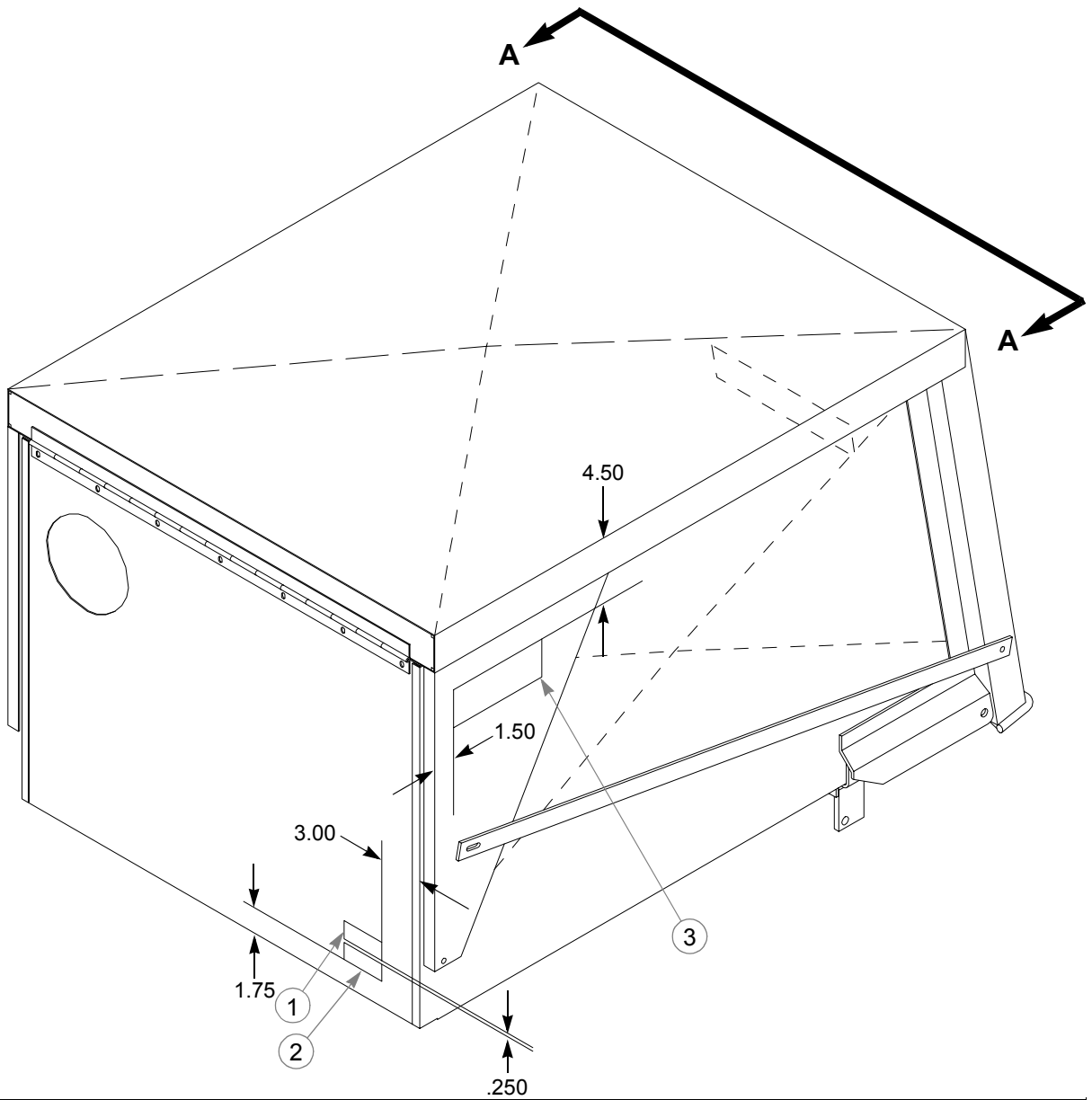
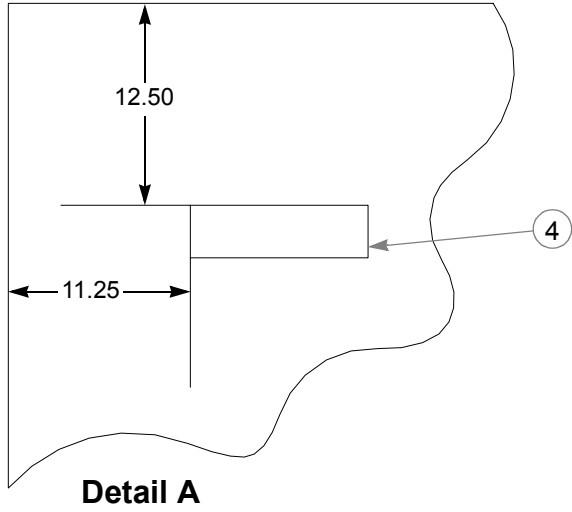
INDEX NO.	SERVICE PART NO.	QTY.	DESCRIPTION
1	047704	1	CS .625-11 X 3.50 HX G5 ZN
2	016972	2	NT .625-11 HX ZN
3	506204	1	CYLINDER
4	044958	1	CS .75-10 X 7.00 HX G5 ZN
5	017061	1	LW .750 MEDIUM SPRING ZN
6	016980	1	NT .75-10 HX ZN
7	392324	1	CYLINDER MOUNT
8	036244	8	CS .375-16 X 1.00 HX G5 ZN
9	045088	1	HOSE CLAMP
10	016899	8	NT .375-16 HXFLK ZN
11	034215	1	CE .310 X 2.50 X .150 X 2.350 ZN
12	377572	1	CYLINDER STOP
13	017301	1	HP .125 X 2.375 ZN
14	078154	1	SERVICE TEE
15	711796	1	IN-LINE RELIEF VALVE
16	013037	1	HYDRAULIC HOSE 21"
17	035881	1	90° MALE SWIVEL ADAPTER UNION
18	042796	2	HOSE ASSEMBLY
19	056614	1	INT-EXT PIPE TEE
20	027359	1	SWIVEL ADAPTER UNION, MALE
21	060889	1	PLASTIC STRAP
22		2	FITTING ASSEMBLY INCLUDES ITEMS 23-26)
23	035881	2	90° MALE SWIVEL ADAPTER UNION
24	043612	1	REDUCER BUSHING
25	047878	1	DUST CAP
26	047860	1	QUICK COUPLER, MALE

NOTES:

Chapter 5 Contents

Decal Group. 5-2

Decal Group



Decal Group

INDEX NO.	SERVICE PART NO.	QTY.	DESCRIPTION
1	741264	1	MADE IN USA COMBO DECAL
2	N/A	1	SERIAL PLATE
3	727701	2	HI-LIFT BAC-VAC DECAL
4	727610	1	HLBV DECAL
5	757179K	1	HI-LIFT BAC-VAC DECAL KIT

NOTES:

Numerical Index

Part No.	Page No.	Part No.	Page No.	Part No.	Page No.
Index					
Numerics					
004168	2-7	034843	2-16	324350	2-9
008805	2-16	035881	4-3	325076	1-1, 2-12
011320	2-13, 2-15	036244	2-15, 4-3	325084	1-1, 2-14
011379	2-7	036384	2-3, 2-9	325100	2-15
012005	2-16	038828	2-7	364265	3-5
013037	4-3	042796	4-3	364653	2-3
015495	3-5	043612	4-3	364661	2-5, 2-7
016162	2-7	044958	4-3	364836	2-3
016287	2-5, 3-5	045088	4-3	365288	2-3
016527	2-9	045765	2-3, 2-9	375881	2-3
016816	2-5, 2-7, 3-3	046821	3-5	375972	3-5
016832	2-5, 2-7, 3-3, 3-5	047704	4-3	375980	3-5
016881	2-3	047720	3-5	376012	3-3
016899	3-5, 4-3	047860	4-3	376038	3-5
016956	3-5	047878	4-3	376103	3-3
016972	4-3	049346	2-3	376111	3-3
016980	4-3	053702	3-5	376186	3-5
017004	2-7	054502	2-9, 2-13, 2-15	376194	3-5
017012	2-3	055939	3-3	376335	3-5
017038	2-11	056614	4-3	377069	2-5
017046	2-3, 2-9, 3-5	058735	3-3	377200	3-5
017061	4-3	058875	3-3	377572	4-3
017129	3-5	060889	4-3	392126	3-5
017137	2-3, 3-3	061101	3-5	392225	3-5
017269	3-3	061812	3-5	392316	3-5
017277	2-7	064329	2-11	392324	4-3
017301	3-5, 4-3	068759	2-9	392332	3-5
018713	3-3	073452	3-3	392415	3-4
019471	2-13, 2-15	077123	2-3, 2-9, 2-16	398529	3-3
020016	3-3	078154	4-3	399857	3-5
022582	2-3, 2-9	078360	2-7	404632	2-5, 2-7
022608	2-5, 2-7	078378	2-3, 2-9, 2-13, 2-15	432864	3-3
022640	2-5, 2-7	078386	2-3, 2-9	432872	3-3
022772	2-3, 2-9	079194	2-9, 2-11	468637	2-5, 2-7
022780	2-5	079202	3-5	468660	2-3
023036	2-13, 2-15	080655	3-5	468686	1-1, 2-6, 2-7
023135	2-3	082180	2-5, 2-7	468694	2-7
023143	2-5, 2-7	203455	2-7	468702	2-7
023317	2-9	212472	2-3, 2-5, 2-9	468710	2-7
024927	2-9, 2-11	250621	2-7	468736	2-7
027359	4-3	259812	2-9	468744	2-7
027375	2-3	263517	2-9	468769	2-5, 2-7
027474	1-1	301267	2-9	468777	2-7
027508	1-1	301317	2-5, 2-9	468801	2-5
027557	3-5	324277	2-11	468819	1-1, 2-4, 2-5
029611	2-5, 2-7, 3-3	324285	2-13, 2-15	468827	2-5
029710	2-5, 2-7, 3-5	324293	2-9	468843	2-5
029736	3-5	324301	2-13, 2-15	468868	2-5
030130	2-7	324319	2-9	468876	2-5
034215	4-3	324327	2-9	504753	2-3
034272	2-9	324335	2-9	506204	4-3
		324343	2-9	513374	2-3

Part No.	Page No.	Part No.	Page No.	Part No.	Page No.
513671	3-3	713198	3-3	760199	3-3
513705	3-3	713206	3-3	767012	2-3, 2-11
518316	2-7	727438	2-3, 2-11	767954	2-9, 2-13, 2-15
518407	2-2	727453	2-5, 2-7, 2-11	768515	2-9, 2-11
520627	2-9, 2-16	727610	5-3	768523	2-9
524785	2-13	727693	2-5, 2-7	770180	2-11
544510	2-8, 2-11	727701	5-3	770388	2-15
705178	2-9	727842	2-5, 2-7	770396	2-13
705194	2-3, 2-9	741264	2-11, 5-3	770404	2-11
705731	2-9	757179K	5-3	770412	2-15
705954	2-3, 2-9	757245	2-11	924688	1-1, 2-5, 2-7
711796	4-3	758565	2-9	925537	1-1, 2-11
712422	2-5, 2-7	758730	2-9		